

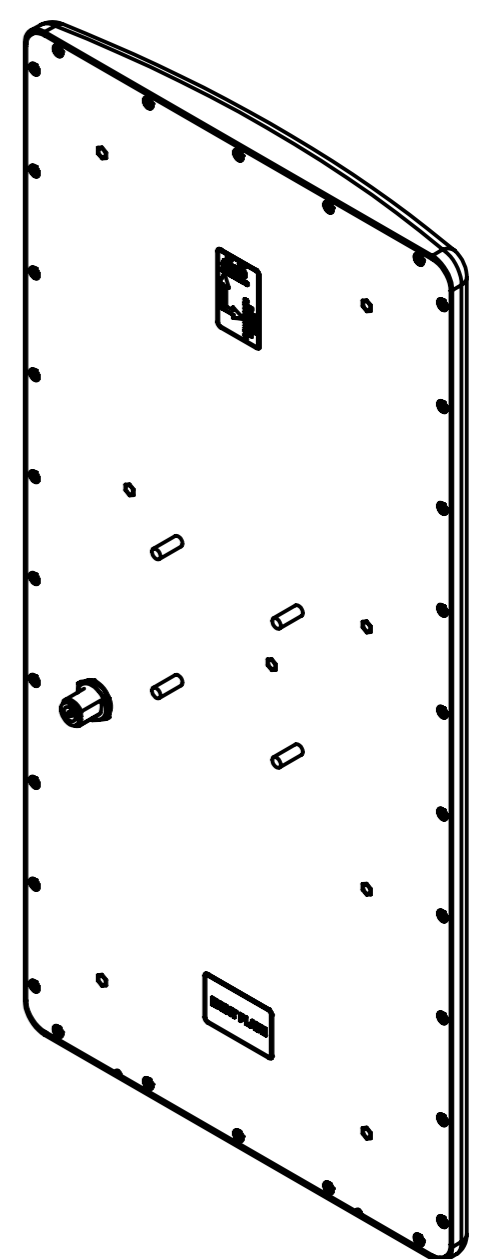
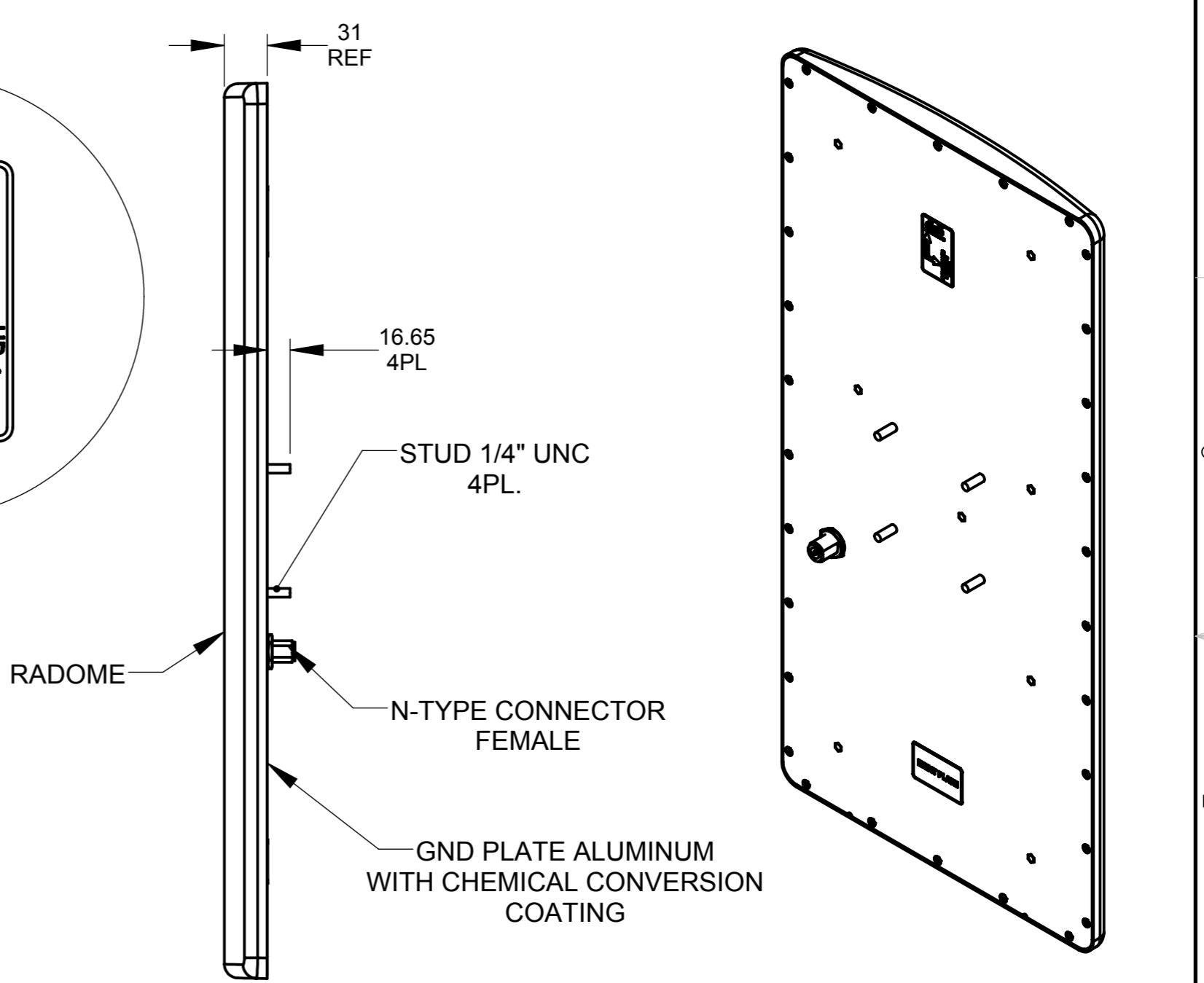
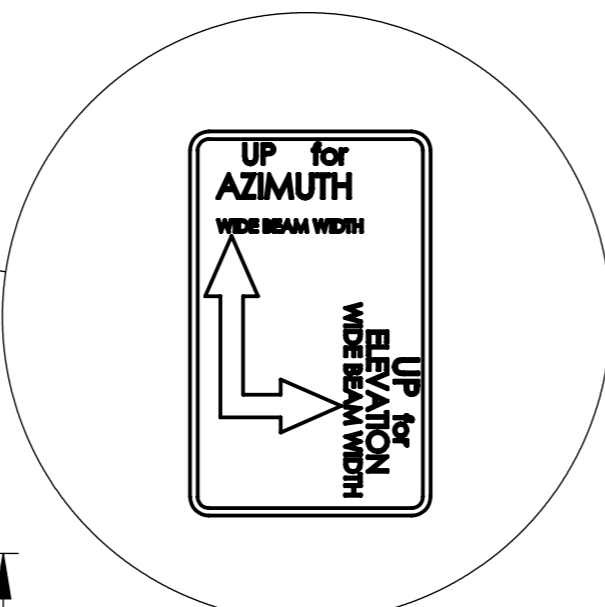
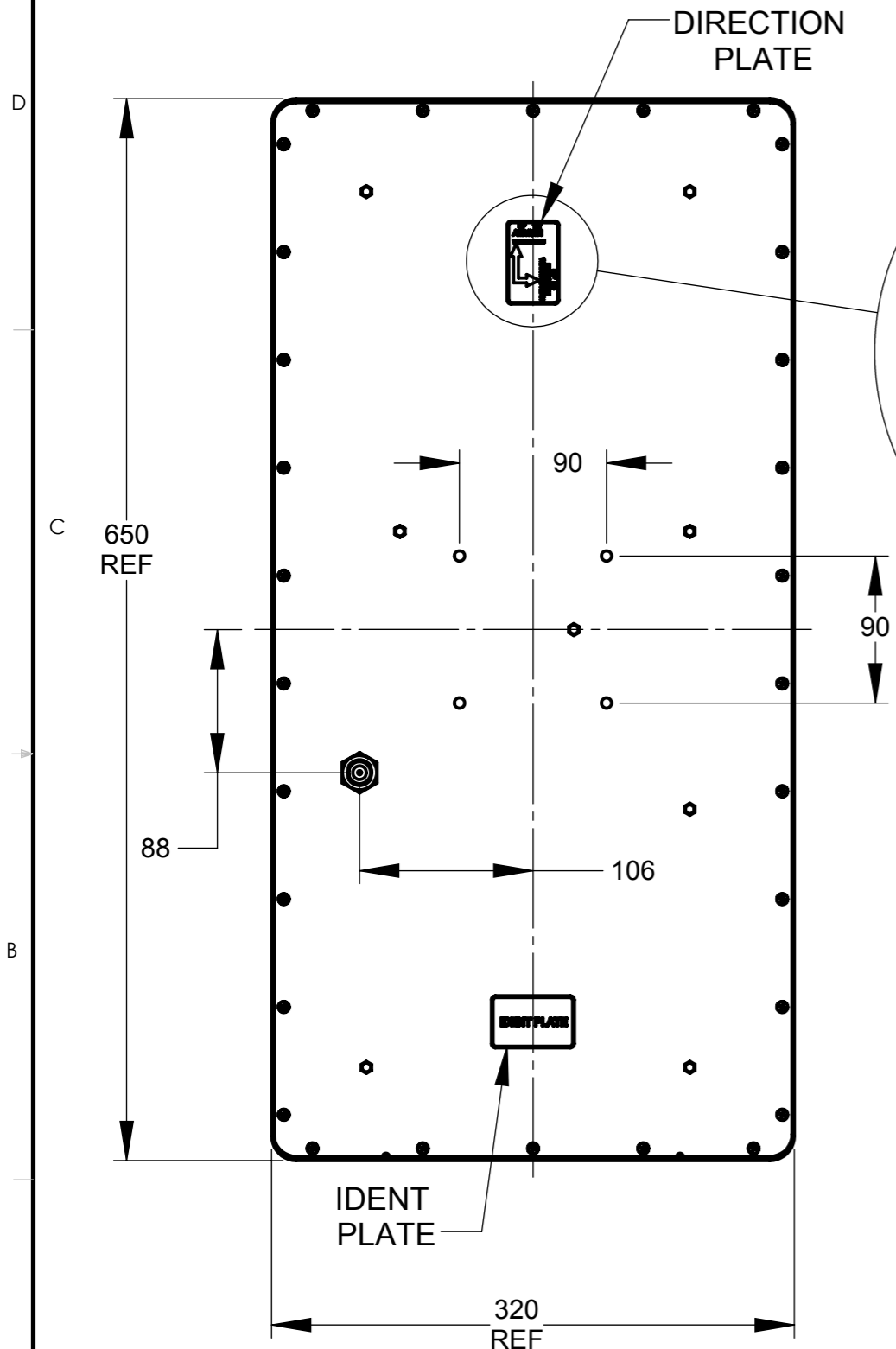
THIS DOCUMENT AND THE INFORMATION CONTAINED IN IT ARE PROPRIETARY AND CONFIDENTIAL TO M.T.I. NO PERSON IS ALLOWED TO COPY, REPRINT, REPRODUCE OR PUBLISH ANY PART OF THIS DOCUMENT, NOR DISCLOSE ITS CONTENTS TO OTHERS, NOR MAKE ANY USE OF IT, NOR ALLOW OR ASSIST OTHERS TO MAKE ANY USE OF IT - UNLESS BY THE PRIOR WRITTEN EXPRESS AUTHORIZATION OF M.T.I. AND THEN ONLY TO EXTENT AUTHORIZED. (C) COPYRIGHT - M.T.I. WIRELESS EDGE LTD.

SHEET REVISION STATUS

5	4	3	2	1	SHEET NO
				A	LATEST REV

DESCRIPTION

REV	ECO	REVISION RECORD	APVD	DATE
A	DF51	RELEASED	Yael H.	24.3.13



UNLESS OTHERWISE SPECIFIED		CONTRACT TO			
DIMENSIONS ARE IN mm PER ANSI Y14.5M-1982		DWG	YAKOV	YAKOV	25.12.06
TOLERANCE		CHKD			
LINEAR	ANGULAR	DSGN	ALEX	ALEX	25.1.07
± 0.2	± 0.5°	PROJ	ALEX	ALEX	25.1.07
MFG					
SURFACE TEXTURE IN MICRO IN.		QA	MOTOVICH	M.M.	24.3.13

<b>Mti</b>	WIRELESS EDGE LTD.	
	TITLE	
ANTENNA 865-870MHz		
FOR MT-243017/NRH/K ICD		
SIZE A3	DWG NO	RD43574800C
SCALE- 1:4	SHEET 1 OF 1	

MT-243017/NRH/K  
NEXT ASSY